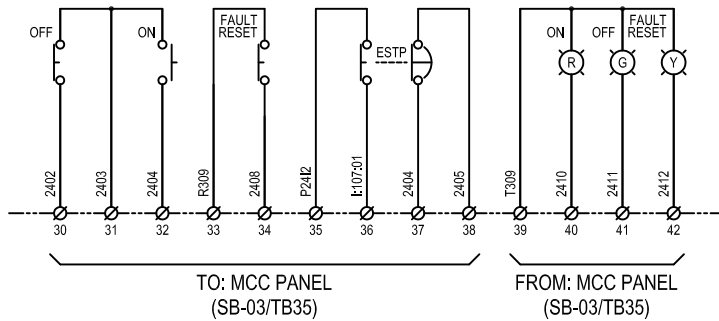
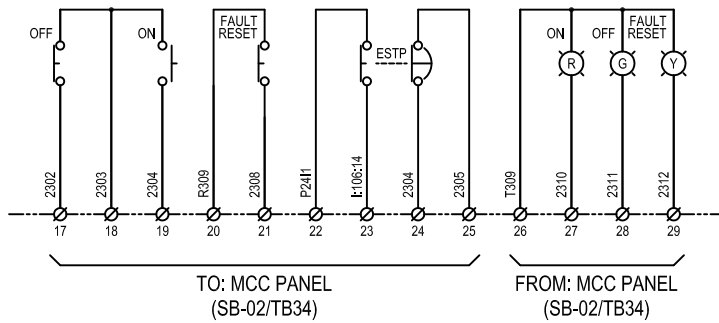
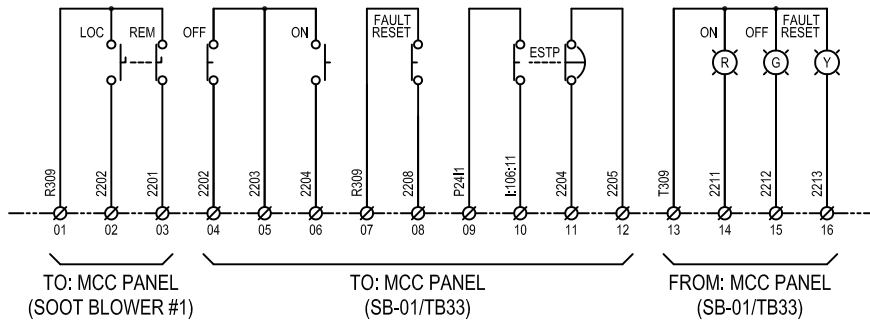



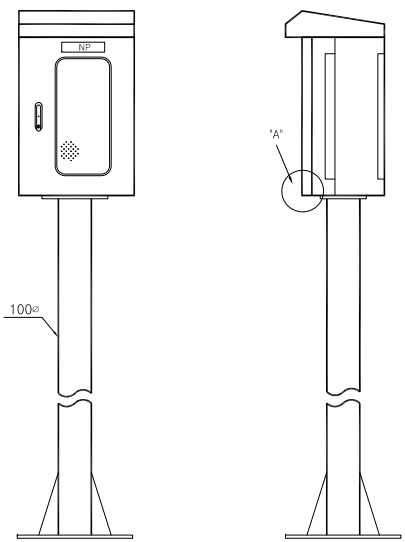
- GENERAL SPECIFICATION**
1. ENCLOSER : SUPPORT STANDING TYPE/OUTDOOR
 2. DOOR : 1.5t, SUS
 3. BODY : 1.5t, SUS
 4. DIMENSION : 400(W)X 500(H) X 300(D) X 850(L)
 5. ROOF : 400(W)X 50(H) X 350(D)

| PART LIST | | | | | |
|-----------|--------------------------------|----------------|---------------|-----------------|----------|
| NO | ITEM | TAG NAME | ORDER NO. | SPECIFICATION | MAKER |
| 1 | SCR SOOT BLOWER #1 LOCAL PANEL | | | | |
| 2 | SELECTOR SWITCH | MODE LOC/REM | YSAR2-211KB | φ25 1a1b | YONGSUNG |
| 3 | SB-01 | | | | |
| 4 | PUSH BUTTON w/LAMP | ON | YSNPBL2-AL2ZR | φ25 1a1b RED | YONGSUNG |
| 5 | PUSH BUTTON w/LAMP | OFF | YSNPBL2-AL2ZG | φ25 1a1b GREEN | YONGSUNG |
| 6 | PUSH BUTTON w/LAMP | FAULT RESET | YSNPBL2-AL2ZY | φ25 1a1b YELLOW | YONGSUNG |
| 7 | EMERGENCY STOP | EMERGENCY STOP | YSSEP323-02R | φ25 2b | YONGSUNG |
| 8 | SB-02 | | | | |
| 9 | PUSH BUTTON w/LAMP | ON | YSNPBL2-AL2ZR | φ25 1a1b RED | YONGSUNG |
| 10 | PUSH BUTTON w/LAMP | OFF | YSNPBL2-AL2ZG | φ25 1a1b GREEN | YONGSUNG |
| 11 | PUSH BUTTON w/LAMP | FAULT RESET | YSNPBL2-AL2ZY | φ25 1a1b YELLOW | YONGSUNG |
| 12 | EMERGENCY STOP | EMERGENCY STOP | YSSEP323-02R | φ25 2b | YONGSUNG |
| 13 | SB-03 | | | | |
| 14 | PUSH BUTTON w/LAMP | ON | YSNPBL2-AL2ZR | φ25 1a1b RED | YONGSUNG |
| 15 | PUSH BUTTON w/LAMP | OFF | YSNPBL2-AL2ZG | φ25 1a1b GREEN | YONGSUNG |
| 16 | PUSH BUTTON w/LAMP | FAULT RESET | YSNPBL2-AL2ZY | φ25 1a1b YELLOW | YONGSUNG |
| 17 | EMERGENCY STOP | EMERGENCY STOP | YSSEP323-02R | φ25 2b | YONGSUNG |

| | | | | | | | | | |
|--|------------|---|---|------|-------------|------|--|------|--|
| ISSUED FOR APPROVAL | | | | | | | | | |
| REV. | DATE | DRN | CHKD | APPD | DESCRIPTION | | | | |
| | | | | | | | | | |
| CLIENT | | | | | | | | | |
| CONTRACTOR | | | | | | | | | |
| VENDOR | | | | | | | | | |
| (주)호원아이앤씨 HOSUPON Instrument & control Co., Ltd. | | | | | | | | | |
| PROJECT | | | | | | | | | |
| JOB NO. | TITLE | | | | | | | | |
| DRAWN | S.Y.SUN | LOCAL PANEL LAYOUT PIPE STANCHION TYPE | | | | | | | |
| CHECKED | JMIN,LEE | | | | | | | | |
| APPROVED | JJM,LEE | | | | | | | | |
| SCALE | DATE DRAWN | DWG NO.: | <table border="1"> <tr> <td>REV.</td> <td></td> </tr> <tr> <td>REV.</td> <td></td> </tr> </table> | | | REV. | | REV. | |
| REV. | | | | | | | | | |
| REV. | | | | | | | | | |
| N/A | | CLIENT DWG NO.: | | | | | | | |

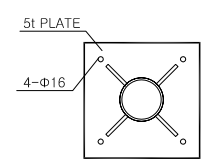
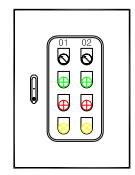


| | | | | | | |
|--|------------|--|--------|---------------------|-------------|------|
| | | | | | | |
| | | | | | | |
| | | | | | | |
| △ | S.Y.SUN | JMIN,LEE | JM,LEE | ISSUED FOR APPROVAL | | |
| REV. | DATE | DRN | CHKD | APPD | DESCRIPTION | |
| CLIENT | | | | | | |
| CONTRACTOR | | | | | | |
| VENDOR | | | | | | |
|  (주)호원아이엔씨 HOWON Instrument & control Co., Ltd. | | | | | | |
| PROJECT | | | | | | |
| JOB NO. | | TITLE | | | | |
| DRAWN | S.Y.SUN | LOCAL PANEL LAYOUT SEQUENCE DIAGRAM | | | | |
| CHECKED | JMIN,LEE | | | | | |
| APPROVED | JJAL,LEE | | | | | |
| SCALE | DATE DRAWN | DWG NO.: | | | | REV. |
| N/A | 2014.10.31 | | | | | △ |
| | | CLIENT DWG NO.: | | | | REV. |
| | | | | | △ | |

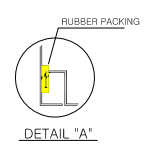


FRONT VIEW

SIDE VIEW



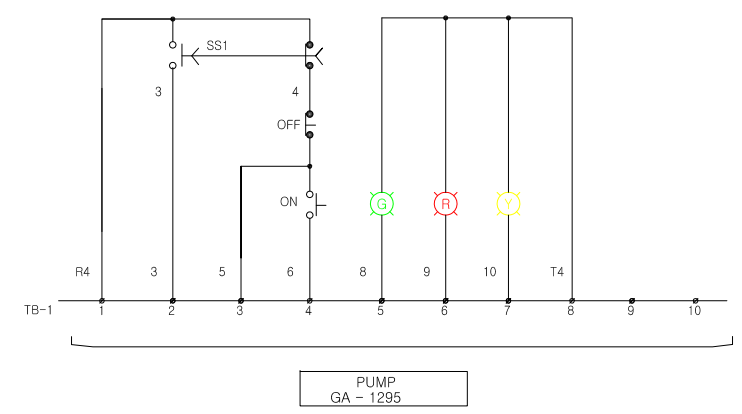
BOTTOM VIEW



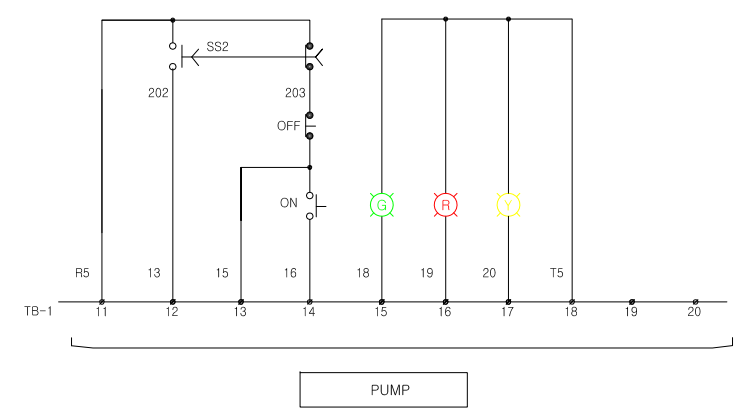
PARTS LIST

| SB | TAG | DESCRIPTION | MODEL & SPEC. | MAKER | Q'TY |
|----|-----|--------------|--|-------|------|
| ☑ | SS | SELECTOR S/W | KSL25L2-11 Φ25 | KOINO | 2 |
| ☑ | PBL | PB W/LAMP | KBL25MP-L2AR11 Φ25,AC220V,RED LED | KOINO | 2 |
| ☑ | PBL | PB W/LAMP | KBL25MP-L2AG11 Φ25,AC220V,GREEN LED | KOINO | 2 |
| ☑ | PL | PILOT LAMP | KPL25-L2AY Φ25,AC220V,YELLOW LED | KOINO | 2 |

*** NOTE ***
 1)TYPE : OUTDOOR,SELF-STAND,WATER-PROOF
 2)MAT'L : SUS304, 1.5t
 3)NAME PLATE : LOP-1




PUMP
GA - 1295

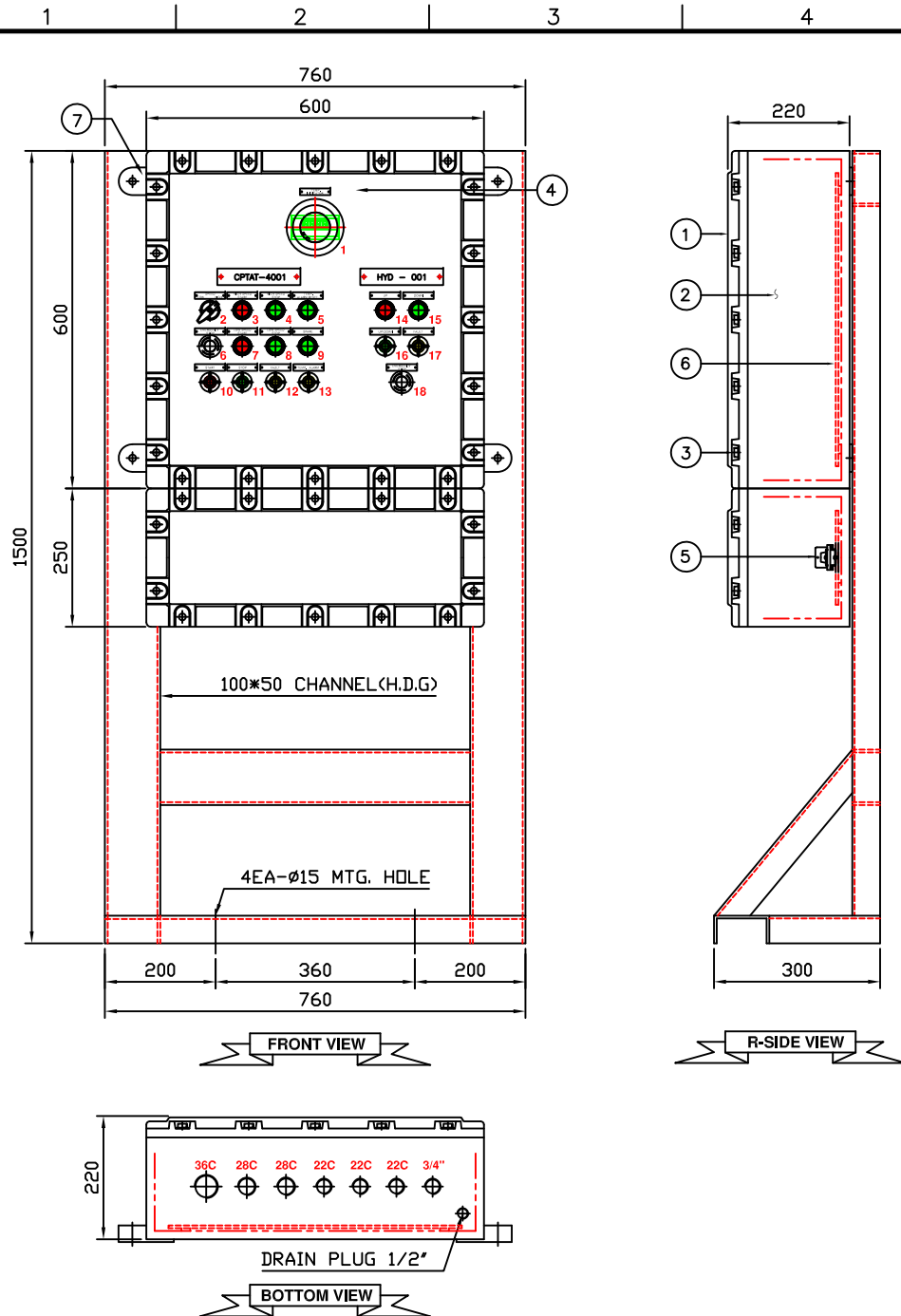


PUMP

| NO. | DATE | REVISIONS | DRAWN BY | DESIGNED BY | CHECKED BY |
|-----|------|-----------|----------|-------------|------------|
| △ | | | | | |
| △ | | | | | |
| △ | | | | | |
| △ | | | | | |

| | |
|----------|--|
| CUSTOMER | |
| PROJECT | |

| | | | | |
|---|----------------------|-----------|-------|-----------|
| TITLE | LOP-1 LAYOUT DRAWING | | SCALE | NONE |
| | WATER PUMP | | DATE | |
| DWG No. | | SHEET No. | | CONT. No. |
|  (주) 호원아이엔씨 HOWON Instrument & control Co., Ltd. | | | | |



| REV. NO. | DATE | DESCRIPTIONS | REV'D BY | CHE'D BY | APP'D BY |
|----------|------|--------------|----------|----------|----------|
| △ | | | | | |
| △ | | | | | |
| △ | | | | | |

SELECTION TABLE.

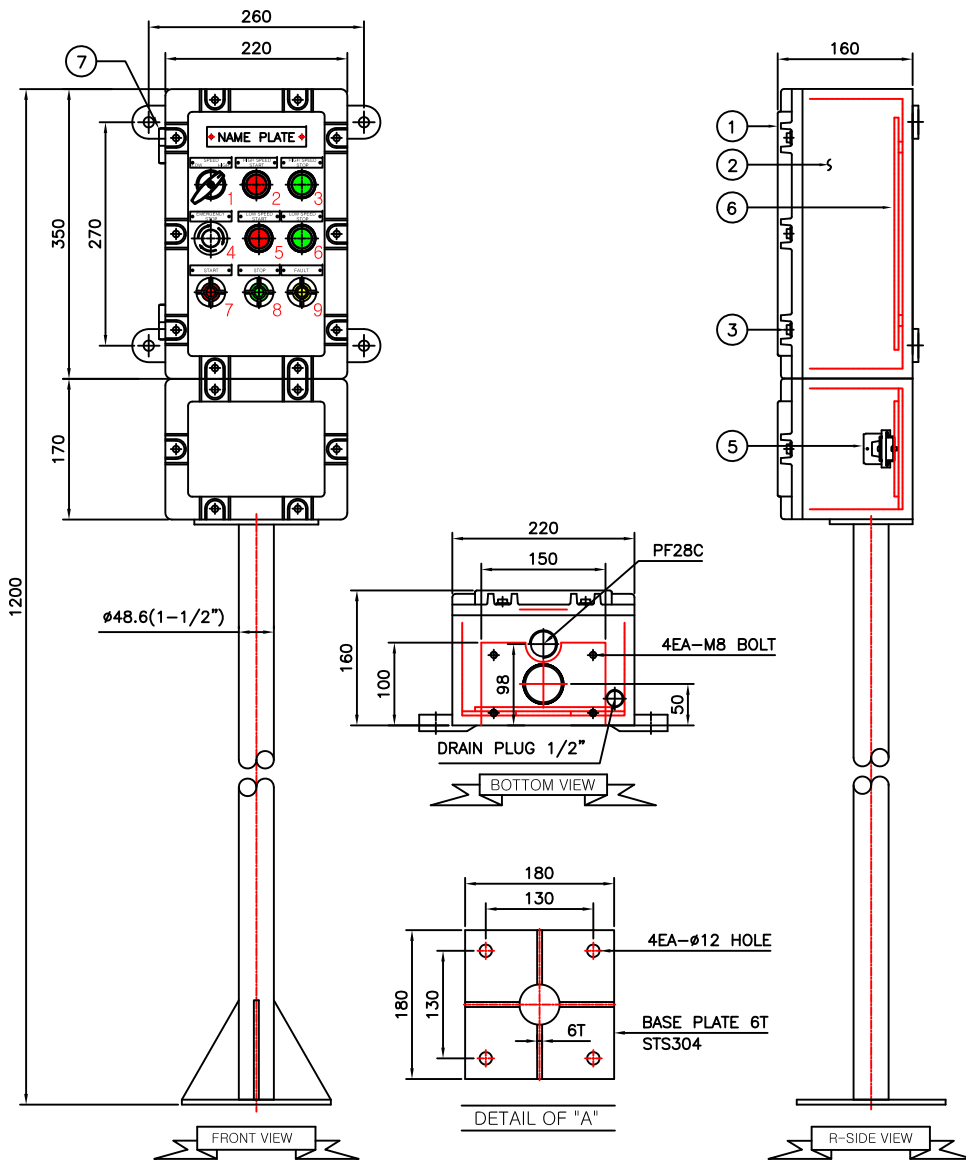
| | | | | | |
|---|--|---|--|---|--|
| ITEM NO. | QUANTITY | | 1 SET | | |
| APPLICATION AREA | <input checked="" type="checkbox"/> OUTDOOR USE | | <input type="checkbox"/> NON-HAZARDOUS | | |
| | <input type="checkbox"/> INDOOR USE | | <input checked="" type="checkbox"/> HAZARDOUS LOCATION | | |
| ACCESSORY OPTION | <input type="checkbox"/> WITHOUT SUNSHADE COVER | | MOUNTING METHOD | <input checked="" type="checkbox"/> WALL MOUNTING | |
| | <input checked="" type="checkbox"/> WITH SUNSHADE COVER | | | <input type="checkbox"/> SELF-STANDING | |
| HUB SCHEDULE | BOTTOM | PF36C*1EA, PF28C*2EA, PF22C*3EA, NPT3/4"*1EA, DRAIN PLUG 1/2" | | | |
| HUB THREAD | TYPE | <input type="checkbox"/> PF & NPT | <input type="checkbox"/> PG | <input type="checkbox"/> PT | BLIND PLUG NONE |
| NAME PLATE | MATERIAL | <input checked="" type="checkbox"/> LAMINATED PLASTIC | | COLOR | BACK GROUND <input checked="" type="checkbox"/> WHITE <input type="checkbox"/> NATURAL |
| | | <input type="checkbox"/> ALUMINIUM | | | LETTER <input type="checkbox"/> BLACK <input checked="" type="checkbox"/> BLACK |
| <input type="checkbox"/> PBL S/W W/LAMP | LAMP : AC220V P/B : AC 250V , 6AMP | COLOR | | RED & GREEN | |
| <input checked="" type="checkbox"/> PILOT LAMP | <input checked="" type="checkbox"/> AC 110V <input type="checkbox"/> AC 220V <input type="checkbox"/> DC 24V | COLOR | | RED & GREEN | |
| <input checked="" type="checkbox"/> PUSH BUTTON | AC 250V, 6AMP RATING | COLOR | RED & GREEN | | |
| <input checked="" type="checkbox"/> SELECTOR SWITCH | AC 250V, 6AMP RATING | <input checked="" type="checkbox"/> 2-POSITION | | | |
| | | <input type="checkbox"/> 3-POSITION | | | |
| <input checked="" type="checkbox"/> EM. SWITCH | AC 250V, 6AMP RATING(LOCK TYPE) | COLOR | RED | | |
| COLOR | <input type="checkbox"/> N-7 <input checked="" type="checkbox"/> EX4504(S) 5Y7/1 | | | | |

| NO. | DESCRIPTION | MATERIAL | REMARK |
|-----|---------------------|------------------------|--------|
| 07. | HINGE | STAINLESS STEEL | |
| 06. | INNER PLATE | BAKELITE PLATE | |
| 05. | TERMINAL BLOCK | AC250V , 20A , 10P*5EA | |
| 04. | MAIN NAME PLATE | SEE SELECTION TABLE | |
| 03. | COVER BOLT & WASHER | STAINLESS STEEL | |
| 02. | BODY | CAST ALUMINIUM ALLOY | |
| 01. | COVER | CAST ALUMINIUM ALLOY | |

| | | | |
|--------------|--|---------------------|-----------------------------------|
| TITLE | LOCAL CONTROL PANEL LAYOUT EXPLOSION PROOF TYPE | CLASS of PROTECTION | FLAME-PROOF TYPE (Ex d IIB T6) |
| PROJECT NAME | | DWG NO. | |
| SCALE | NONE | APPROVED BY | |
| UNIT | mm | CHECKED BY | |
| DATE | | DRAWING BY | |

(주) 호원아이엔씨
 HOWON Instrument & control Co., Ltd.

*THE ALLOWABLE LIMIT IN ABOVE DIMENSION TO BE WITH IN ±3%



*THE ALLOWABLE LIMIT IN ABOVE DIMENSION TO BE WITH IN ±3%

| REV. NO. | DATE | DESCRIPTIONS | REV'D BY | CHE'D BY | APP'D BY |
|----------|------|--------------|----------|----------|----------|
| △ | | | | | |
| △ | | | | | |
| △ | | | | | |

SELECTION TABLE.

| ITEM NO. | DESCRIPTIONS | QUANTITY | REMARKS |
|---|--|--|--|
| | | 25 SET | |
| APPLICATION AREA | <input checked="" type="checkbox"/> OUTDOOR USE <input type="checkbox"/> INDOOR USE | <input type="checkbox"/> NON-HAZARDOUS <input checked="" type="checkbox"/> HAZARDOUS LOCATION | |
| ACCESSORY OPTION | <input type="checkbox"/> WITHOUT SUNSHADE COVER <input checked="" type="checkbox"/> WITH SUNSHADE COVER | MOUNTING METHOD | <input type="checkbox"/> WALL MOUNTING <input checked="" type="checkbox"/> SELF-STANDING |
| HUB SCHEDULE | BOTTOM | PF28C*1EA, DRAIN PLUG 1/2" | |
| HUB THREAD | TYPE | <input type="checkbox"/> PF <input type="checkbox"/> NPT <input type="checkbox"/> PG <input type="checkbox"/> PT | BLIND PLUG <input type="checkbox"/> NONE |
| NAME PLATE | MATERIAL | <input checked="" type="checkbox"/> LAMINATED PLASTIC <input type="checkbox"/> ALUMINIUM | COLOR BACK GROUND <input checked="" type="checkbox"/> WHITE <input type="checkbox"/> NATURAL LETTER <input type="checkbox"/> BLACK <input checked="" type="checkbox"/> BLACK |
| <input type="checkbox"/> PBL S/W W/LAMP | LAMP : AC220V P/B : AC 250V , 6AMP | COLOR | RED & GREEN |
| <input checked="" type="checkbox"/> PILOT LAMP | <input checked="" type="checkbox"/> AC 110V <input type="checkbox"/> AC 220V <input type="checkbox"/> DC 24V | COLOR | RED & GREEN |
| <input checked="" type="checkbox"/> PUSH BUTTON | AC 250V, 6AMP RATING | COLOR | RED & GREEN |
| <input checked="" type="checkbox"/> SELECTOR SWITCH | AC 250V, 6AMP RATING | <input checked="" type="checkbox"/> 2-POSITION <input type="checkbox"/> 3-POSITION | |
| <input checked="" type="checkbox"/> EM. SWITCH | AC 250V, 6AMP RATING(LOCK TYPE) | COLOR | RED |
| COLOR | <input type="checkbox"/> N-7 <input checked="" type="checkbox"/> EX4504(S) 5Y7/1 | | |

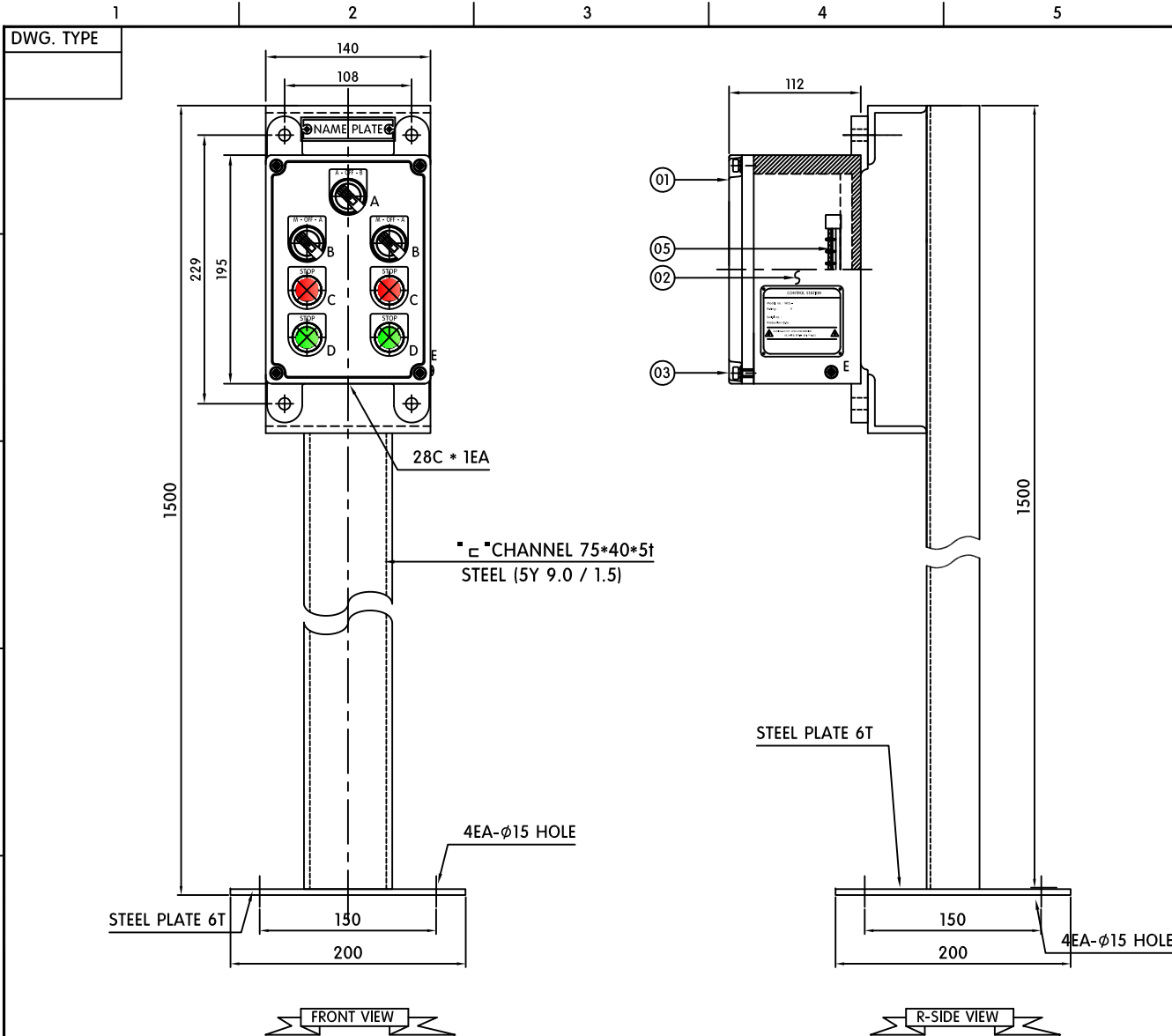
| NO. | DESCRIPTION | MATERIAL | REMARK |
|-----|---------------------|----------------------|--------|
| 07. | HINGE | STAINLESS STEEL | |
| 06. | INNER PLATE | BAKELITE PLATE | |
| 05. | TERMINAL BLOCK | AC250V , 20A , 10P | |
| 04. | MAIN NAME PLATE | SEE SELECTION TABLE | |
| 03. | COVER BOLT & WASHER | STAINLESS STEEL | |
| 02. | BODY | CAST ALUMINIUM ALLOY | |
| 01. | COVER | CAST ALUMINIUM ALLOY | |

| TITLE | LOCAL CONTROL PANEL PIPE STANCHION/EXPLOSION PROOF | CLASS of PROTECTION | FLAME-PROOF TYPE (Ex d IIB T6) |
|--------------|---|---------------------|-----------------------------------|
| PROJECT NAME | | DWG NO. | |
| | | SCALE | NONE |
| | | UNIT | mm |
| | | DATE | |
| | | APPROVED BY | |
| | | CHECKED BY | |
| | | DRAWING BY | |



(주) 호원아이엔씨
HOWON Instrument & control Co., Ltd.

(SIZE A3 : 420*297)



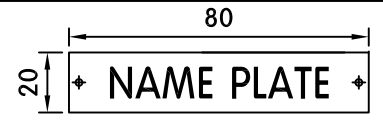
| REV. NO. | DATE | DESCRIPTION | REV'D BY | CHE'D BY | APP'D BY |
|----------|------|-------------|----------|----------|----------|
| △ | | | | | |
| △ | | | | | |
| △ | | | | | |

NOTES

1. WEATHER PROOF LOCAL CONTROL STANCHION
2. INDOOR USE
3. SELF STANCHION TYPE
4. ITEM NO.: WCS-1420
5. Q'TY : 1EA
6. FINISH COLOR : 5Y 9.0 / 1.5
7. HUB LOCATION : BOTTOM
8. THREAD TYPE : PF
9. HUB SCHEDULE : 28C*1EA
10. UNIT SELECTION TABLE

| | | | |
|---|--|---|-----------------------------|
| <input checked="" type="checkbox"/> PUSH BUTTON W/LAMP [EX d IIC] | LAMP : AC220V P/B : AC 250V , 6AMP | COLOR | RED & GREEN |
| <input type="checkbox"/> PILOT LAMP [EX d IIC] | <input type="checkbox"/> AC 110V <input type="checkbox"/> AC 220V <input type="checkbox"/> DC 24V | COLOR | RED |
| <input type="checkbox"/> PUSH BUTTON [EX d IIC] | AC 250V, 6AMP RATING | COLOR | RED |
| <input checked="" type="checkbox"/> SELECTOR SWITCH [EX d IIC] | AC 250V, 6AMP RATING | <input type="checkbox"/> 2-POSITION | |
| | | <input checked="" type="checkbox"/> 3-POSITION (MANU-OFF-AUTO, A-OFF-B) | |
| | | <input type="checkbox"/> SPRING RETURN | |
| <input type="checkbox"/> EMERGENCY SWITCH [EX d IIC] | AC 250V, 6AMP RATING | COLOR | RED (PUSH LOCK, TURN RESET) |
| <input type="checkbox"/> VOLUME [EX d IIC] | <input type="checkbox"/> 1kΩ 1 TURN <input type="checkbox"/> 1kΩ 10TURN <input type="checkbox"/> 10kΩ 1TURN <input type="checkbox"/> 10kΩ 10TURN | | |
| <input type="checkbox"/> BUZZER [EX d IIC] | <input type="checkbox"/> AC 110V <input type="checkbox"/> AC 220V <input type="checkbox"/> DC 24V | - | - |

11. NAME PLATE
 MATERIAL : LAMINATED PLASTIC
 BACK GROUND : WHITE
 LETTER : BLACK



| NO. | NAME LIST |
|-----|-----------|
| | |
| | |
| | |
| | |
| | |
| | |
| | |
| | |

| NO. | DESCRIPTION | MATERIAL | REMARK |
|-----|---------------------|-----------------|--------|
| 05. | TERMINAL BLOCK | 10A -P | |
| 04. | NAME PLATE | SEE TO NOTE *11 | |
| 03. | COVER BOLT & WASHER | STAINLESS STEEL | |
| 02. | BODY | ALUMINUM ALLOY | |
| 01. | COVER | ALUMINUM ALLOY | |

| NO. | UNIT PART NAME | DESCRIPTION | NAME LIST |
|-----|------------------|----------------|---------------|
| A. | SELECTOR SWITCH | 3 POSITION | A-OFF-B |
| B. | SELECTOR SWITCH | 3 POSITION | MANU-OFF-AUTO |
| C. | P.B W/PILOT LAMP | RED, AC 220V | START |
| D. | P.B W/PILOT LAMP | GREEN, AC 220V | STOP |

| TITLE | LOCAL CONTROL STANCHION DUST PROTECTION | CLASS of PROTECTION | WEATHER PROOF |
|--|--|------------------------|---------------|
| PROJECT NAME | | DWG NO. | |
| (주) 호원아이엔씨 HOWON Instrument & control Co., Ltd. | SCALE | NONE | APPROVED BY |
| | UNIT | mm | CHECKED BY |
| | DATE | | DRAWING BY |

*THE ALLOWABLE LIMIT IN ABOVE DIMENSION TO BE WITH IN ± 3%